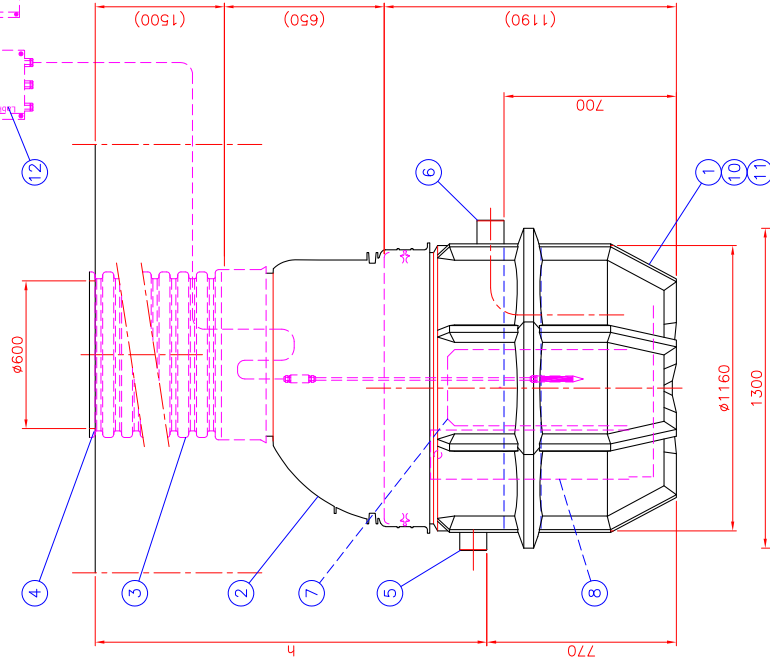
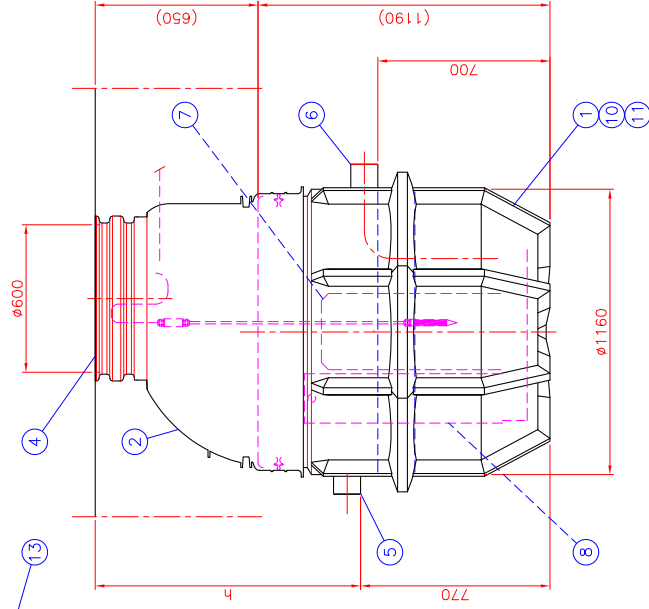


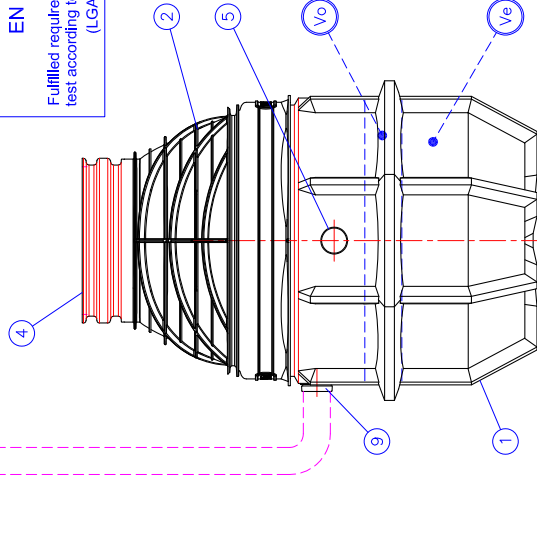
EuroPEK Roo NS3 TEGRA CONE Oil separator, class I
with TEGRA 600x1.5 M maintenance shaft (x)
h= 1100 ... 2600 mm



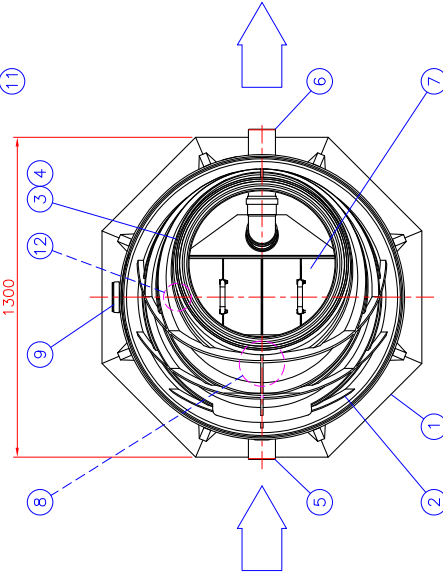
EuroPEK Roo NS3 TEGRA CONE Oil separator, class I
without TEGRA 600x1.5 M maintenance shaft (x)
h= 1100 mm



CE
09
EN 858-1
Fulfilled requirements of flow rate
test according to standard EN858
(LGA, 2009)



Note!
Oil separator class I (EN858) with
Tegra Cone body. Max. flow rate 3 l/s
ACCESSORY: ACD Automatic closure device DN110



Max. flow rate 3 l/s	Max. flow rate 3 l/s
13 ACCESSORY: Data Transfer Unit	<input type="checkbox"/> (x)
12 ACCESSORY: Oil alarm unit	<input type="checkbox"/> (x)
11 ACCESSORY: Anchoring belt (Polyester), weight capacity 1000 kg, 4 pcs	<input type="checkbox"/> (x)
10 ACCESSORY: Anchoring plates package, GRP, 2 pcs	<input type="checkbox"/> (x)
9 Ventilation outlet D110	<input type="checkbox"/> (x)
8 ACCESSORY: ACD Closure device, DN110	<input type="checkbox"/> (x)
7 Coolöscer	<input type="checkbox"/> (x)
6 Outlet sewer PE-HD D110	<input type="checkbox"/> (x)
5 Inlet sewer PE-HD D110	<input type="checkbox"/> (x)
4 Cover (as needed)	<input type="checkbox"/> (x)
3 ACCESSORY: Tegra 600 extension shaft with socket (includes gasket) h = 1100...2600 mm with TEGRA 600x1.5 m maintenance pipe h = 1100, without TEGRA 600x1.5 m maintenance pipe	<input type="checkbox"/> (x)
2 TEGRA 1000 -cover part PE-MD 1600/1170	<input type="checkbox"/> (x)
1 Bottom part. Material: PE-MD pH3-10/Heat endurance 50°C	<input type="checkbox"/> (x)
Ve Effective volume	600 l
Vo Oil storage volume	150 l

h = Connection height from ground surface

h = _____ mm (max. 2600 mm)

Maximum SLW60 (100kN/m²) traffic load if 1,0m hard surface coverage above inlet (water level).
Maximum groundwater level not limited
Max depth is 2.6 m from cover down to inlet (water level).

Drawing type: CUSTOMER DRAWING
EuroPEK Roo NS3 Oil separator class I (EN858) with Tegra Cone

Approved by: AL/HT/JS
Drawing no: 29AB11_e
Date: 15.02.2019
Scale: 15.02.2019

Construction site: _____

WQVIN
CONNECT TO BETTER

WAVIN FINLAND
VIBOKATU 1
FIN-33720 TAMPERE
FIN-0483 201285200
FIN-0483 201285200
fax: +358 20 1285280

This drawing and the technical information included in the drawing are property of Wavin Finland
All the national regulations concerning this product have to be checked before purchase of the product.
Installation have to be done according to installation manual.